

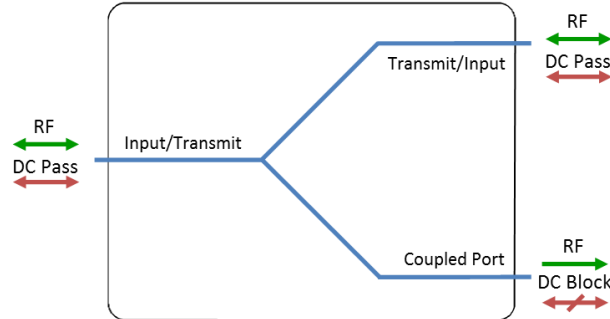


Model Number:  
**CPLxxCXP-4325**

RF Components

# Wideband Directional Coupler

2-8 GHz



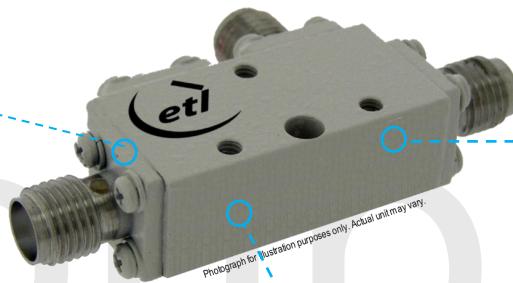
- Wide band 2-8 GHz
- 10 or 20 dB coupling

Available with RF connector options:

- 50 Ω SMA
- 50 Ω N-type



**2-8 GHz** Operating frequency range. C & X band ready.



**Compact**  
Housed in rugged compact enclosure

**Flexible Mounting**  
Through hole mounting options

RF Parameters				
CPLxxCXP-4325	S5S5S5/N5N5N5			
Frequency Range	2-8 GHz			
RF Connectors	SMA 50 ohm		N-type 50 ohm	
Coupling Factor (dB)	10 ± 1.0	20 ± 1.0	10 ± 1.0	20 ± 1.0
Insertion loss* (dB)	Max. 0.5	0.4	0.7	0.5
Thru Line Flatness (dB)	Max. ±1.0	±1.0	±1.0	±1.0
Return Loss (dB) Thru line	Typ. 22	22	20	20
	Min 20	20	17	17
Return Loss (dB) Coupled port	Typ. 22	22	20	20
	Min 20	20	17	17
Directivity** (dB)	Min 20	20	20	18

\* Excluding coupling loss  
\*\*Directivity across frequency band will vary.

## Broadcast



## Marine Oil & Gas



## SNG & VSAT



## Satellite Teleport





RF Components

Model Number:  
**CPLxxCXP-4325**

Wideband 2-8 GHz 10 / 20 dB coupler

**Technical specifications and operating parameters**

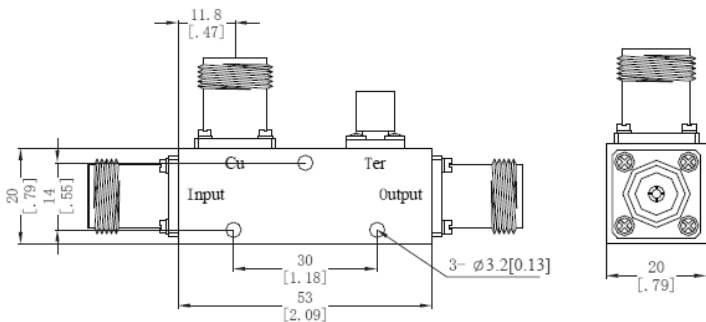
Environmental		
Operating Temperature		-45°C to +85°C
Storage Temperature		-45°C to +85°C
Location		Indoor use Only
Humidity	Max	85% non-condensing
Altitude	Max	10,000 feet

Max Operating Parameters	
Input RF Power	+47 dBm 50W (Forward)

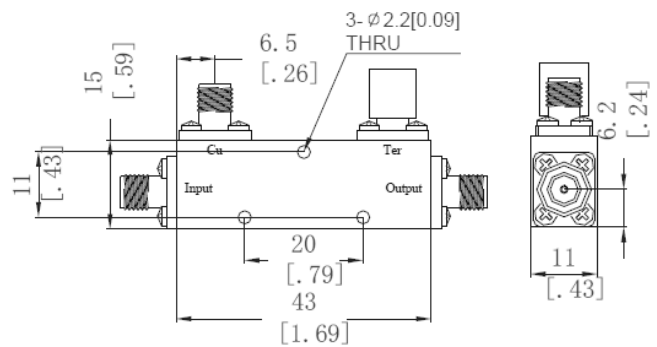
**!** Operation beyond these limits may cause instantaneous and permanent damage.

**Physical Dimensions (mm)**

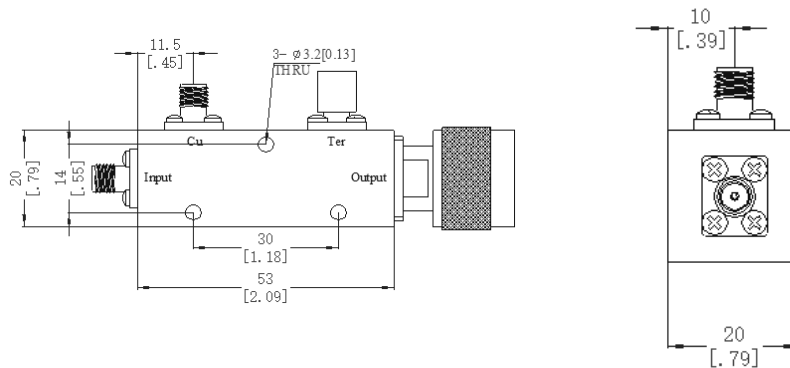
**50 Ω N-type**



**50 Ω SMA**



**Mixed Connectors SMA Female & N-type Male :**



Note: The specification is subject to regular reviews and will be updated from time to time as part of our continuing product development and improved specification accuracy.

ETL SYSTEMS LIMITED  
Coldwell Radio Station  
Madley  
Hereford  
England HR2 9NE

TELEPHONE  
+44 (0)1981 259020  
  
EMAIL  
info@etlsystems.com

FACSIMILE  
+44 (0)1981 259021  
  
WEB  
www.etlsystems.com

